



BOLLITORE PER PRODUZIONE ACQUA CALDA SANITARIA DA POMPA DI CALORE WARMWASSERSPEICHER FÜR DIE WARMWASSERBEREITUNG MITTELS WÄRMEPUMPE TANK FOR SANITARY HOT WATER PRODUCTION FROM HEAT PUMP

- | | | |
|--|---|---|
| <ul style="list-style-type: none"> ➤ INTEGRABILE SU TUTTI I TIPI DI IMPIANTI ➤ RAPIDITÀ DI ACCUMULO CON EROGAZIONE ABBONDANTE E CONTINUA ➤ ALTA EFFICIENZA PER BASSI COSTI DI ESERCIZIO ➤ ASSOLUTA IGIENE ➤ LUNGA DURATA SENZA CORROSIONE ➤ SEMPLICITÀ DI INSTALLAZIONE ➤ NOTEVOLE SUPERFICIE DI SCAMBIO | <p>INTEGRIEBAR IN JEDEN ANLAGENTYP SCHNELLE SPEICHERUNG MIT REICHLICH UND LAUFENDE VERSORGUNG HÖHE LEISTUNG BEI GERINGEN BETRIEBSKOSTEN HYGIENISCH DAUEREINSATZ OHNE KORROSION EINFACHE INSTALLATION SEHR EFFIZIENTE WÄRMEAUSTAUSCHFLÄCHE</p> | <p>TO BE INTEGRATED ON ALL KIND OF PLANTS STORAGE RAPIDITY, ABUNDANT AND CONTINUOUS EROGATION HIGH EFFICIENCY FOR LOW EXERCICE COSTS ABSOLUTE HYGIENE LONG DURABILITY WITHOUT CORROSION SIMPLICTY OF INSTALLATION EFFICIENT HEAT-EXCHANGE SURFACE</p> |
|--|---|---|

XWWM Bollitore a 1 serpentino in acciaio inox AISI 316L.

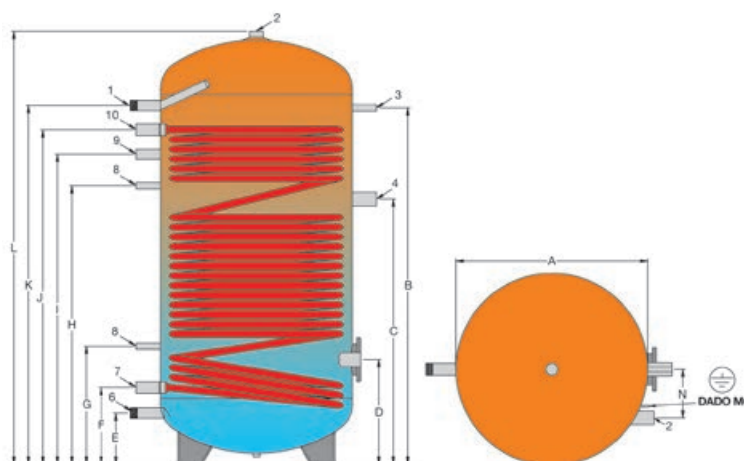
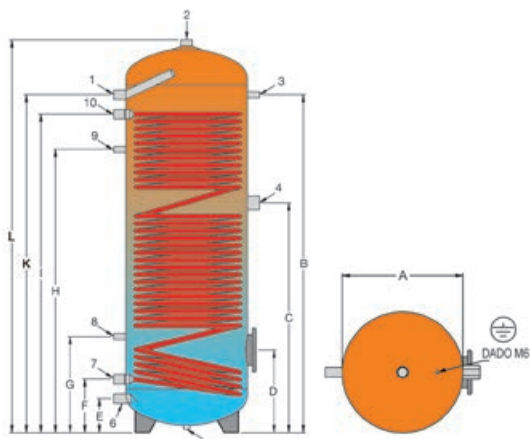
Isolamento: Poliuretano rigido spessore 70 mm (mod. 150÷600), fibra poliestere 100 mm (mod. 800÷2000).

(D) XWWM Speicher aus Edelstahl AISI 316L mit 1 Heizregister.
Isolierung: PU-Hartschaum fest eingeschäumt 70 mm (Mod. 150÷600), Polyester Faser 100 mm (Mod. 800÷2000).

(GB) XWWM Water-heater by AISI 316L stainless steel with 1 fixed pipe-coil.
Insulation: Foamed hard polyurethane layer 70 mm (mod.150÷600), polyester fibre 100 mm (mod. 800÷2000).

XWWM 200÷500

XWWM 800÷2000



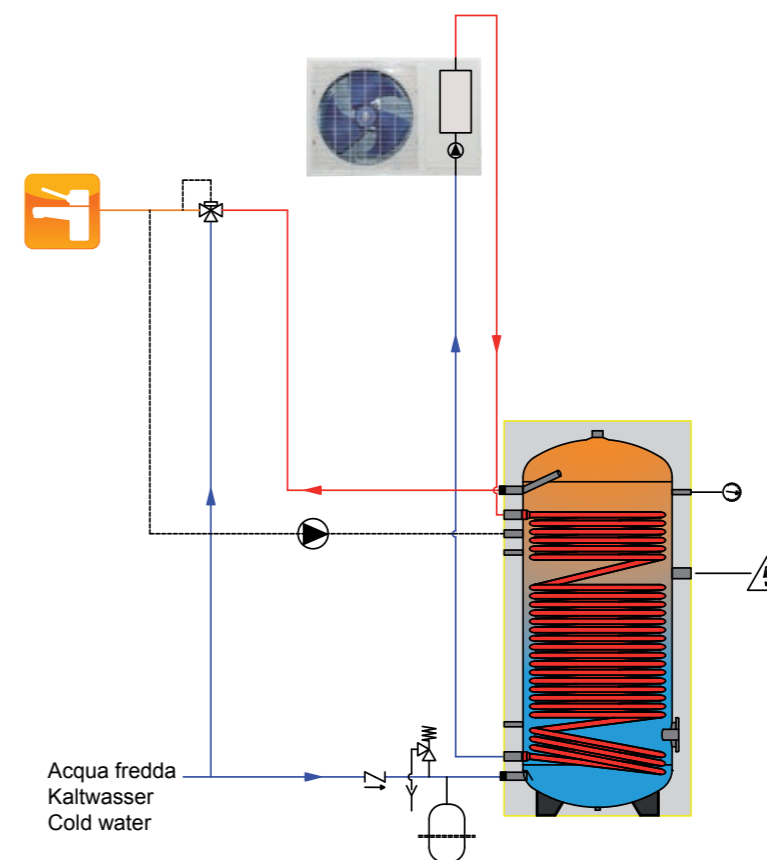
| Modello Modell Model | A | B | C | D | E | F | G | H | I | J | K | L | M | N |
|----------------------------|------|------|------|-----|-----|-----|-----|------|------|------|------|------|---|-----|
| 200 | 500 | 1015 | 735 | 320 | 113 | 220 | 370 | 835 | 990 | - | 1107 | 1215 | - | - |
| 300 | 500 | 1390 | 945 | 340 | 113 | 220 | 395 | 1165 | 1310 | - | 1390 | 1615 | - | - |
| 400 | 650 | 1195 | 835 | 365 | 143 | 270 | 440 | 960 | 1150 | - | 1292 | 1430 | - | - |
| 500 | 650 | 1425 | 970 | 370 | 143 | 270 | 425 | 1170 | 1330 | - | 1415 | 1690 | - | - |
| 800 | 790 | 1485 | 1030 | 435 | 200 | 350 | 510 | 1195 | 1295 | 1390 | 1485 | 1805 | - | - |
| 1000 | 790 | 1720 | 1315 | 460 | 200 | 345 | 515 | 1425 | 1525 | 1625 | 1730 | 2030 | - | - |
| 1500 | 1000 | 1890 | 1350 | 540 | 280 | 390 | 575 | 1350 | 1525 | 1775 | 1890 | 2105 | - | 230 |
| 2000 | 1200 | 1890 | 1365 | 565 | 280 | 400 | 655 | 1385 | 1560 | 1790 | 1890 | 2150 | - | 230 |

DATI TECNICI TECHNISCHE ANGABEN / TECHNICAL DATA

| inox XWWM | | INOX | | | | | | | |
|--|--------------------------|-----------|-----------|-----------|-----------|------------|------------|------------|------------|
| | | 200 | 300 | 400 | 500 | 800 | 1000 | 1500 | 2000 |
| Volume utile / Benutzbarer Volume / Storage volume | l | 190 | 263 | 374 | 470 | 702 | 900 | 1300 | 2035 |
| Classe energetica - Dispersione PU rigido iniettato Energieklasse - Wärmehaltverlust PU-Hartschaumisolierung Energetic class - Standing loss PU foamed injected insulation | 70 mm | B 51 W | B 63 W | B 74 W | B 80 W | - | - | - | - |
| Classe energetica - Dispersione fibra poliestere Energieklasse - Wärmehaltverlust Polyester Faser Energetic class - Standing loss polyester fibre | 100 mm | - | - | - | - | C 130 W | C 142 W | C 162 W | C 186 W |
| Altezza totale con isolamento / Gesamte Höhe mit Isolierung Total height with insulation | mm | 1215 | 1615 | 1430 | 1690 | 1855 | 2080 | 2175 | 2220 |
| Altezza massima in raddrizzamento / Kippmass / Diagonal size | mm | 1375 | 1735 | 1700 | 1900 | 1900 | 2090 | 2280 | 2295 |
| Bollitore isolamento 70 mm PU rigido iniet. Speicher mit PU-Hartschaum fest eingeschäumt 70 mm Tank with 70 mm PU foamed hard polyurethane | ø mm | 640 | 640 | 790 | 790 | - | - | - | - |
| Bollitore isolamento fibra poliestere 100 mm / Speicher mit Polyester Faser 100 mm / Tank with 100 mm polyester fibre | ø mm | - | - | - | - | 990 | 990 | 1200 | 1400 |
| Scambiatore / Wärmetauscher / Pipe coil | m² | 2,3 | 3,1 | 3,3 | 3,8 | 4,6 | 5,3 | 8,0 | 9,0 |
| Cont. acqua serpentino / Wasserinhalt des Wärmetausc. Pipe coil water capacity | l | 17,0 | 23,0 | 25,0 | 28,0 | 34,0 | 39,0 | 68,5 | 102,0 |
| Acqua riscaldamento / Heizungswasser / Heating water | 60-50°C m³/h | 1 | 1,3 | 1,5 | 1,7 | 2,2 | 2,5 | 3,5 | 5,8 |
| Potenza resa / Abgegebene Leistung / Heat delivered | 60-50°C kW | 11 | 15 | 17 | 20 | 25 | 29 | 45 | 68 |
| Produzione sanitaria / Warmwasser Leistung / Output sanitary water | 10-45°C m³/h | 0,3 | 0,4 | 0,4 | 0,5 | 0,6 | 0,7 | 1,1 | 1,7 |
| Perdite carico / Druckverlust / Pressure lost | 60-50°C mbar | 40 | 60 | 80 | 100 | 120 | 180 | 620 | 2020 |
| Acqua riscaldamento / Heizungswasser / Heating water | 80-60°C m³/h | 2,4 | 3,3 | 3,5 | 4,3 | 4,9 | 5,7 | 8,6 | 9,7 |
| Potenza resa / Abgegebene Leistung / Heat delivered | 80-60°C kW | 57 | 77 | 82 | 95 | 115 | 132 | 200 | 225 |
| Produzione sanitaria / Warmwasser Leistung / Output sanitary water | 10-45°C DIN 4708 m³/h | 1,4 | 1,9 | 2 | 2,3 | 2,8 | 3,2 | 4,9 | 5,5 |
| Perdite carico / Druckverlust / Pressure lost | 80-60°C mbar | 230 | 380 | 430 | 640 | 650 | 935 | 3010 | 5650 |
| Coefficiente / Leistungs/Kennzahl / Power code | DIN 4708 NL | 8 | 10 | 12 | 14 | 22 | 26 | 55 | 84 |
| Peso a vuoto / Leergewicht / Weight empty | kg | 72 | 95 | 123 | 125 | 153 | 172 | 290 | 360 |
| Pressione max. di esercizio del sanitario / Max. Betriebsdruck Warmwasser Speicher / Max. working-pressure tank | bar | 6 | | | | | | | |
| Pressione max. di esercizio dello scambiatore / Max. Betriebsdruck Wärmetauscher Max. working-pressure heat exchanger | bar | 10 | | | | | | | |
| Temperatura max. di esercizio del boiler / Max. Betriebstemperatur Warmwasser Speicher / Max. working-temperature boiler | °C | 95 | | | | | | | |

| N° | TIPO DI ATTACCO / ANSCHLUBTYP / CONNECTOR TYPE | MODELLO / MODELL / MODEL | | | |
|-----|---|--------------------------|-----------|------------|-------------|
| | | 200 ÷ 300 | 400 ÷ 500 | 800 - 1000 | 1500 - 2000 |
| 1. | Mandata acqua calda / Warmwasser-Entnahme / Domestic hot water inlet | 1" | 1" | 1" 1/4 | 1" 1/2 |
| 2. | Anodo / Anode / Anode | 1" 1/4 | 1" 1/4 | 1" 1/2 | 1" 1/2 |
| 3. | Termometro - Sonda / Thermometer - Fühler / Thermometer - Feeler | 1/2" | 1/2" | 1/2" | 1/2" |
| 4. | Resistenza elettrica / Elektrischer Widerstand / Electrical resistance | 1" 1/2 | 1" 1/2 | 1" 1/2 | 1" 1/2 |
| 5. | Attacco bancale (cieco) / Blindmuffe zur Befestigung / Blind connection for fasting | 1/2" | 1/2" | - | - |
| 6. | Entrata acqua fredda / Kaltwasser - Vorlauf / Cold water inlet | 1" | 1" | 1" 1/4 | 1" 1/2 |
| 7. | Ritorno serpentino / Wärmetauscher Rücklauf / Water exchanger outlet | 1" | 1" 1/4 | 1" 1/4 | 1" 1/4 |
| 8. | Sonda / Fühler / Feeler | 1/2" | 1/2" | 1/2" | 1/2" |
| 9. | Ricircolo / Zirkulation / Re-circulation | 1/2" | 1/2" | 1" | 1" |
| 10. | Mandata serpentino / Wärmetauscher Vorlauf / Water exchanger inlet | 1" | 1" 1/4 | 1" 1/4 | 1" 1/4 |

SCHEMA IMPIANTO SANITARIO
ANLAGESCHEMA SANITÄR
PLANT SCHEME SANITARY



N.B. Gli schemi illustrano il funzionamento ma non sostituiscono l'elaborato progettuale.
Die Schemas illustrieren den Betrieb aber sie wechseln das aufwendige Projekt aus nicht.
Diagrams illustrating the operation but do not replace the project work.

| Modello Modell Model | isolamento spessore 70 mm PU-Hartschaum 70 mm thickness insulation 70 mm | |
|----------------------------|--|---------|
| | codice | |
| inox XWWM | 200 | 1X5920F |
| | 300 | 1X5930F |
| | 400 | 1X5940F |
| | 500 | 1X5950F |



| Modello Modell Model | SOLO ISOLAMENTO - NUR ISOLIERUNG - INSULATION ONLY | | |
|----------------------------|---|---|---|
| | fibra poliestere 100 mm Polyester Faser 100 mm polyester fibre 100 mm | bollitore base Speicher ohne Isolierung storage tank without insulation | fibra poliestere 100 mm Polyester Faser 100 mm polyester fibre 100 mm |
| | | codice | |
| inox XWWM | 800 | 1X5980S | 1X5980Z |
| | 1000 | 1X59A0S | 1X59A0Z |
| | 1500 | 1X59A5S | 1X59A5Z |
| | 2000 | 1X59B0S | 1X59B0Z |
| | | 1AXM805 | 1AXMA05 |
| | | 1AXMA55 | 1AXMA55 |
| | | 1AXMB05 | 1AXMB05 |